

Z-DENS

B-Vent Cap Supplemental Instructions[#]



The following caps are designed to secure Z-DENS flex to rigid adaptor (2ZDFRA_) or Z-DENS rigid pipe or elbow all sold separately to b-vent and are for use with Z-DENS round chimney covers (2ZDRCC_). In this application Z-DENS flex lines an used b-vent to vent a category IV appliance or Z-DENS rigid brings combustion air to appliance.

Z-DENS P/N

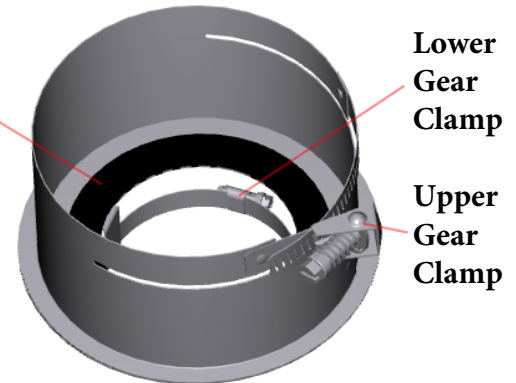
2ZD4BV2 for 4" B-Vent & 2" Z-DENS

2ZD5BV2 for 5" B-Vent & 2" Z-DENS

2ZD5BV3 for 5" B-Vent & 3" Z-DENS

2ZD6BV3 for 6" B-Vent & 3" Z-DENS

Foam Tape is shipped loose and should be applied on inside of cap as shown for Z-DENS rigid pipe or elbow



DEFINITIONS

WARNING

Indicates a potentially hazardous situation which, if ignored, can result in death, serious injury or substantial property damage.

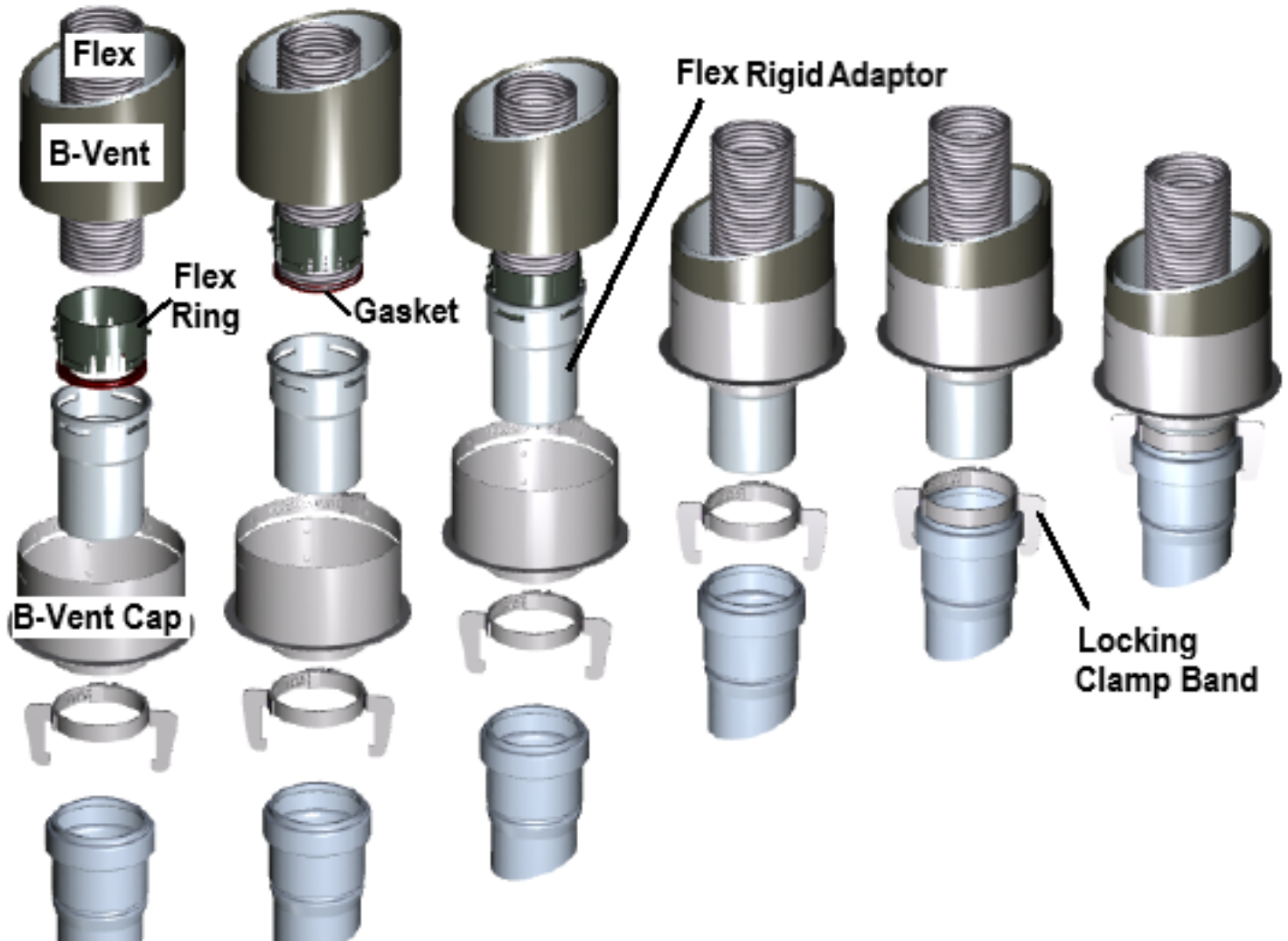
SUPPLEMENTAL INSTRUCTIONS

WARNING

These instructions are to be used to supplement Z-Flex Z-DENS Installation and Maintenance Instructions. A Qualified installer must install venting system in accordance with all these instructions, local building codes or in absence of local codes latest edition of National Fuel Gas Code; ANSI Z223.1/NFPA 54 in USA or CAN/CGA-B 149.1 or .2 in Canada. Consult appliance manufacturer's installation instructions for approvals and to resolve any conflicts.

Flex to Rigid Connector (2ZDFRA_) Instructions - See images on page 2

1. Follow [Z-DENS Flex Installation Manual](#) to install flex, spacers and round chimney cover through clean unused structurally sound b-vent. NOTE Z-DENS bends must not exceed 45 degrees.
2. Where flex exits b-vent pipe or flow through section of tee, install Z-DENS Flex Ring in the third groove of flex than install Z-DENS Flex Gasket in first groove of flex.
3. Apply Z-DENS Lubricant to gasket and install Z-DENS Flex to Rigid Adaptor to Z-DENS Flex Ring until 4 snap lock click.
4. Install Flex/Flex Adaptor through hole in Z-DENS B-Vent Cap and secure to cap by tightening lower cap gear clamp.
5. Install cap over b-vent and secure cap by tightening upper cap gear clamp around b-vent.
6. Secure Z-DENS female end of rigid pipe or elbow to male end of Z-DENS Flex to Rigid Adaptor by tightening gear clamp on Z-DENS Locking Clamp Band.
7. Follow [Z-DENS Single Wall Rigid Installation Manual](#) to install the remaining vent to appliance. Consult [Z-DENS Appliance Adaptors](#) for proper adaptor.

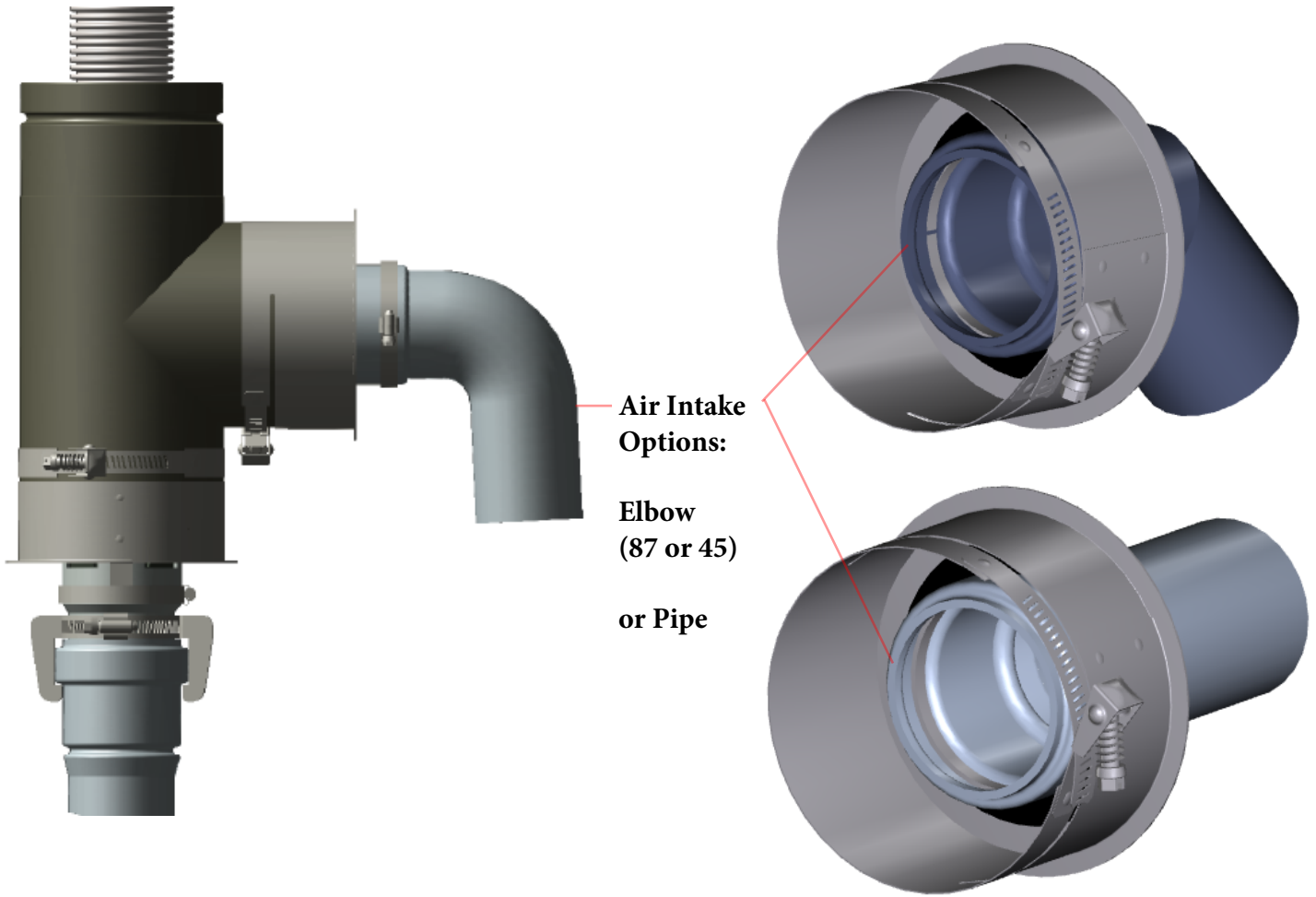


Rigid Pipe or Elbow Air Intake Instructions - See images on page 3

1. Locate foam tape, remove backing and install around hole inside the Z-DENS B-Vent Cap.
2. Install male end of pipe or elbow through hole inside Z-DENS B-Vent Cap until extrusion on female end compresses foam then secure to cap by tightening lower cap gear clamp.
3. Install cap over b-vent (tee branch) and secure cap by tightening upper cap gear clamp around b-vent.
4. Follow [Z-DENS Single Wall Rigid Installation Manual](#) to install the remaining vent to appliance.
Consult [Z-DENS Appliance Adaptors](#) for proper adaptor.

Z-DENS

B-Vent Cap Supplemental Instructions[#]



- # Information subject to change without notice.
- # Install carbon monoxide detector and alarms in accordance with local codes.
- # Contact Z-Flex for any additional information.

Canada: 452 Attwell Drive, Etobicoke, ON M9W 5C3 tel: 416.679.0045 • fax: 416.679.0051
USA: 20 Commerce Park North, Bedford, New Hampshire tel: 603.669.5136 800.654.5600 • fax: 603.669.0309

0INSTZDBV rev 6.2021